

RECOMMENDED PCB LAYOUT  
(EVEN PIN)

RECOMMENDED PCB LAYOUT  
(ODD PIN)

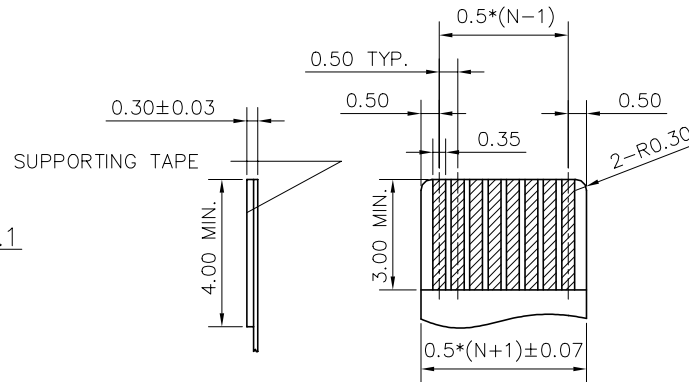
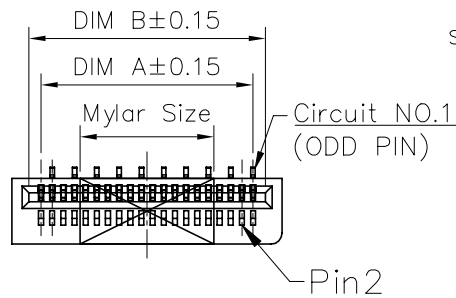
NOTES:

- MATERIAL:
  - HOUSING: THERMOPLASTIC, HIGH TEMP., UL94V-0; COLOR: NATURAL.
  - CONTACT: COPPER ALLOY
- FINISH:
  - CONTACT: 50u"MIN NICKEL UNDERPLATING OVER ALL
  - GOLD FLASH ON CONTACT AREA
  - N: 80~150u" MATTE TIN PLATING OVER ALL
  - L: 80~150u" BRIGHT TIN PLATING OVER ALL
  - C: 15u" GOLD ON CONTACT AREA
  - 3: 1u"MIN GOLD ON CONTACT & SOLDER AREA
- REFLOW SOLDER CAPABLE TO 260°C PER ACES SPEC.
- SPEC. PLS. REFER TO PS-51526-XXXXX-XXX
- PACKAGE PLS. REFER TO 91525-XXXXX-TRP
- PART NUMBER  
51526-XXX X X-XXX

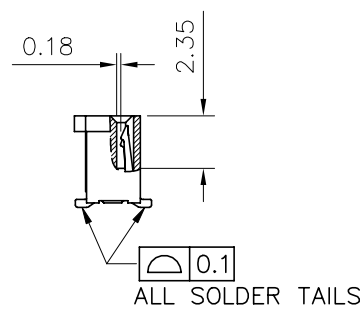
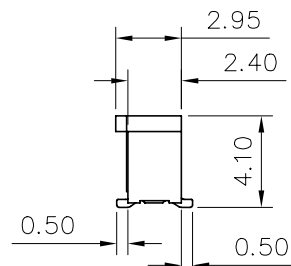
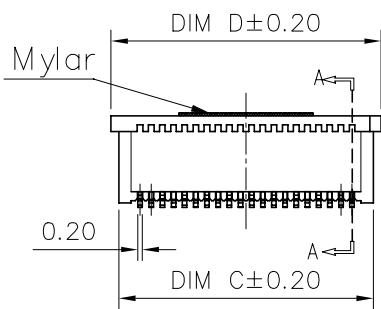
|      |     |               |
|------|-----|---------------|
| CKTS | XXX | HOUSING COLOR |
|      | 001 | BLACK         |

- PACKING
- T&R WITH MYLAR
  - TUBE WITH MYLAR

- PLATING:
- GOLD FLASH
  - MATTE TIN
  - BRIGHT TIN
  - 15U" GOLD ON CONTACT AREA
  - 1u"MIN GOLD ON CONTACT AREA
  - 1u"MIN GOLD ON SOLDER AREA



APPLICABLE FPC/FFC LAYOUT  
GENERAL TOLERANCE ±0.05



SECTION A-A

| CKT | Dim A | Dim B | Dim C | Dim D | M/S | CKT  | Dim A | Dim B | Dim C | Dim D | M/S  |
|-----|-------|-------|-------|-------|-----|------|-------|-------|-------|-------|------|
| 004 | 1.5   | 2.6   | 3.4   | 4.1   | 3.0 | 024  | 11.5  | 12.6  | 13.4  | 14.1  | 6.0  |
| 005 | 2.0   | 3.1   | 3.9   | 4.6   |     | 025  | 12.0  | 13.1  | 13.9  | 14.6  | 10.0 |
| 006 | 2.5   | 3.6   | 4.4   | 5.1   |     | 026  | 12.5  | 13.6  | 14.4  | 15.1  |      |
| 007 | 3.0   | 4.1   | 4.9   | 5.6   |     | 027  | 13.0  | 14.1  | 14.9  | 15.6  |      |
| 008 | 3.5   | 4.6   | 5.4   | 6.1   |     | 028  | 13.5  | 14.6  | 15.4  | 16.1  |      |
| 009 | 4.0   | 5.1   | 5.9   | 6.6   |     | 029  | 14.0  | 15.1  | 15.9  | 16.6  |      |
| 010 | 4.5   | 5.6   | 6.4   | 7.1   |     | 030  | 14.5  | 15.6  | 16.4  | 17.1  |      |
| 011 | 5.0   | 6.1   | 6.9   | 7.6   |     | 031  | 15.0  | 16.1  | 16.9  | 17.6  |      |
| 012 | 5.5   | 6.6   | 7.4   | 8.1   |     | 032  | 15.5  | 16.6  | 17.4  | 18.1  |      |
| 013 | 6.0   | 7.1   | 7.9   | 8.6   |     | 033  | 16.0  | 17.1  | 17.9  | 18.6  |      |
| 014 | 6.5   | 7.6   | 8.4   | 9.1   |     | 034  | 16.5  | 17.6  | 18.4  | 19.1  |      |
| 015 | 7.0   | 8.1   | 8.9   | 9.6   | 035 | 17.0 | 18.1  | 18.9  | 19.6  |       |      |
| 016 | 7.5   | 8.6   | 9.4   | 10.1  | 036 | 17.5 | 18.6  | 19.4  | 20.1  |       |      |
| 017 | 8.0   | 9.1   | 9.9   | 10.6  | 6.0 | 037  | 18.0  | 19.1  | 19.9  | 20.6  |      |
| 018 | 8.5   | 9.6   | 10.4  | 11.1  |     | 038  | 18.5  | 19.6  | 20.4  | 21.1  |      |
| 019 | 9.0   | 10.1  | 10.9  | 11.6  |     | 039  | 19.0  | 20.1  | 20.9  | 21.6  |      |
| 020 | 9.5   | 10.6  | 11.4  | 12.1  |     | 040  | 19.5  | 20.6  | 21.4  | 22.1  |      |
| 021 | 10.0  | 11.1  | 11.9  | 12.6  |     | 041  | 20.0  | 21.1  | 21.9  | 22.6  |      |
| 022 | 10.5  | 11.6  | 12.4  | 13.1  |     | 042  | 20.5  | 21.6  | 22.4  | 23.1  |      |
| 023 | 11.0  | 12.1  | 12.9  | 13.6  |     |      |       |       |       |       |      |

|   |   |   |
|---|---|---|
| 一般公差<br>TOLERANCES<br>X ± 0.50 .XX ± 0.15<br>.X ± 0.25 .XXX ± 0.10<br>ANGLES ± 2°                   | <b>宏致電子股份有限公司</b><br>Aces Electronics Co.,Ltd.                                      |   |
| 檢驗尺寸標示<br>SYMBOLS  INDICATE CLASSIFICATION DIMENSION<br>MARK IS CRITICAL DIM.<br>MARK IS MAJOR DIM. | 品名 (TITLE)<br>0.5mm NONZIF FPC CONN.<br>SMT TYPE.<br>圖號 (DWG.NO)<br>51526-XXXXX-XXX | 製圖 (DR)<br>21/07/07 GAOLI<br>審核 (CHKD)<br>21/07/07 XUZHIYONG<br>核准 (APPD)<br>21/07/07 XUZHIYONG |
| 表面處理 (FINISH)   | 比例 (SCALE) 單位 (UNITS)<br>1:1 mm   | 張數 (SHEET) 1 OF 1<br>尺寸 (SIZE) A4<br>頁數 (REV) B   |